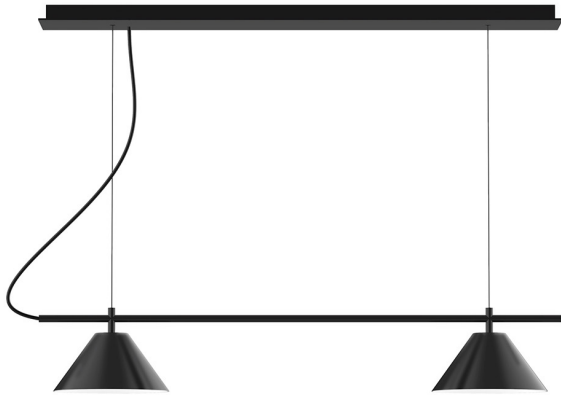


## AXIS PINNACLE 2-LIGHT LINEAR LED CHANDELIER

CHE421-L12

### FEATURES + BENEFITS

- Metal RLM shades are spun from heavy duty aluminum.
- Polyester powder coat finish provides color retention and scratch resistance.
- White powder coat shade interior for maximum light output.
- Black SJT Cord is standard. Stainless steel cable mount.
- UL Listed for Dry Location.
- Warranty: Limited 1 Year. LED Warranty: Limited 5 Year.
- Made in USA.



### SPECIFICATIONS

#### Product Dimensions:

Width 8", Shade Height 4", Length 36", Overall Height 77.75", Canopy (2) 5" diameter

#### Lamping:

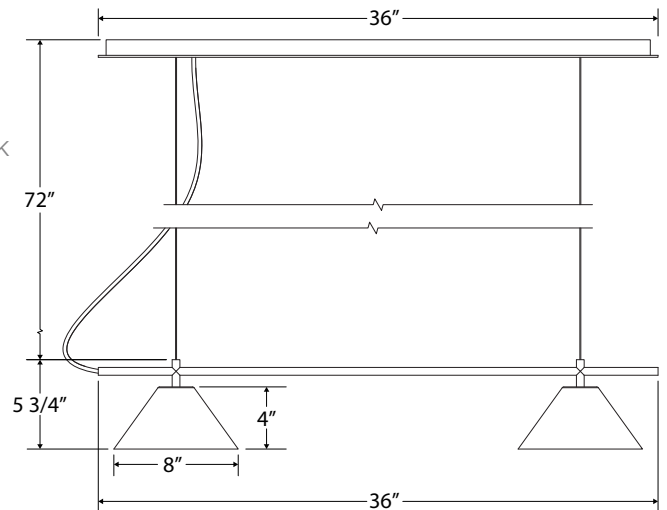
Integrated LED Panel: 10W, 800lm, 94.5 Adjustable CCT-2700-3000-3500K

#### Options:

- Finish: 16-Cream, 17-Ivory, 19-Terracotta, 20-Mauve, 21-Bright Yellow, 22-Fern Green, 40-Slate Gray, 41-Black, 42-Forest Green, 44-White Gloss, 48-Sea Green, 50-Navy, 51-Architectural Bronze, 54-Light Blue, 55-Barn Red
- Cord: C21-White SJT, C01-Brown and Ivory Houndstooth Fabric, C02-Black Fabric, C04-Black and White Houndstooth Fabric, C12-Gray Fabric, C16-Navy Mini Tweed, C20-White Fabric, C22-White and Gray Dot Fabric, C23-Red & White Zig-Zag Fabric, C24-Cool Tweed, C25-Polished Copper, C26-Ivory, C27-Neutral Argyle

#### Shipping:

At Montclair Light Works we proudly manufacture, assemble, and ship your lamp within 3 weeks from our factory in Montclair CA.



JOB/LOCATION

QUANTITY

DATE

NOTES